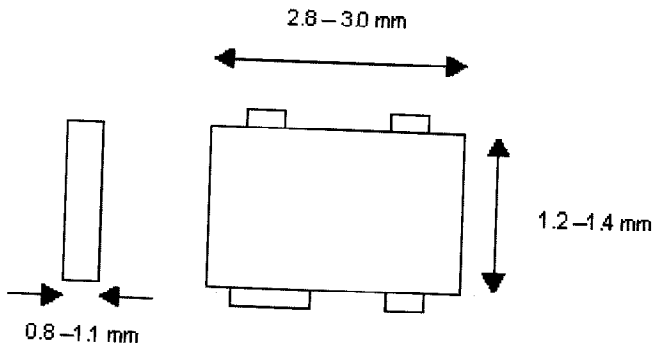
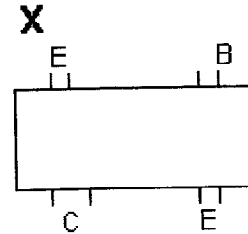


Part Number = MRF9331LT1
Description = Bipolar NPN UHF-Microwave Transistor
Manufacturer = Motorola
V(BR)CEO (V) = 8.0
V(BR)CBO (V) = 15
I(C) Abs.(A) Collector Current = 2.0m
Absolute Max. Power Diss. (W) = 50m
I(CBO) Max. (A) = 50n
@V(CBO) (V) (Test Condition) = 5.0
h(FE) Min. Static Current Gain = 30
h(FE) Max. Current gain. = 200
@I(C) (A) (Test Condition) = 500u
@V(CE) (V) (Test Condition) = 1.0
f(T) Min. (Hz) Transition Freq = 3.5
@I(C) (A) (Test Condition) = 1.0m
@V(CE) (V) (Test Condition) = 1.0
Power Gain Min. (dB) = 12
@I(C) (A) (Test Condition) = 500u
@V(CE) (V) (Test Condition) = 1.0
@Freq. (Hz) (Test Condition) = 1.0G
Noise Figure Max. (dB) = 2.5
Semiconductor Material = Silicon
C(obo) (Max) (F) = 300f
@Freq. (Hz) (Test Condition) = 1.0M
Status = Discontinued
Package = SOT-143
Military = N



SOT-143